

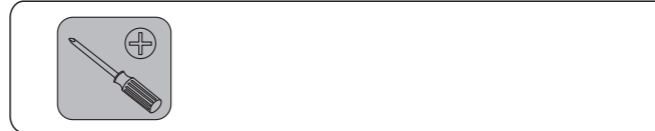
Item No.: DLB851D

Installation guide



M4X12MM A(8PCS) M5X12MM B(8PCS) M6x12MM C(3PCS) 6.5X13X2 D(16PCS) 4x4mm Allen Key E(1PC) 5x5mm Allen Key F(1PC)

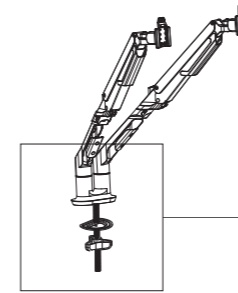
- Support arm (1pc)
- Base Mounting Plate (1pc)
- Protection pad (2pcs)
- Protection pad (1pc)
- Plastic cable cover (1pc)
- Perforated plate (1pc)
- Long screw (1pc)
- Protection pad (1pc)
- Knob nut (1pc)
- Pressure plate (1pc)
- Mount Plate (2pcs)
- Clip (2pcs)



STEP 2-B

Option2: Grommet

4x4mm

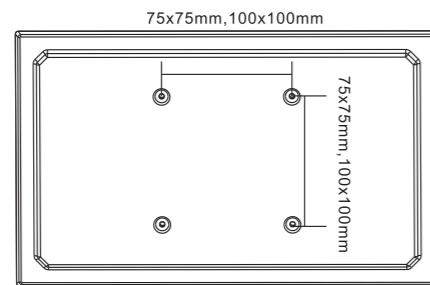


Notice: Keep the counterbore side down
 Available hole size: 8 5-70mm
 For desk thickness: 25-100mm
 Tighten

STEP 1

The Preparation Before Monitor Installation

1. Make sure there are VESA holes 100x100mm or 75x75mm in the monitor. If not, the mount couldn't be installed.
2. Remove the original fixed base of monitor. Be careful not to scratch the screen.



STEP 3

Connect the plate and monitor

Use washer if needed
 Use the allen key (F) to tighten the screw
 Tighten

STEP 2-A

Option1:

select proper available hole according to thickness of desk
CAUTION
 Suitable for right angle table. Do not use special-shaped table with mounting surface to prevent the clamp from slipping.
 4x4mm
 For desk thickness: 20-120mm
 Tighten

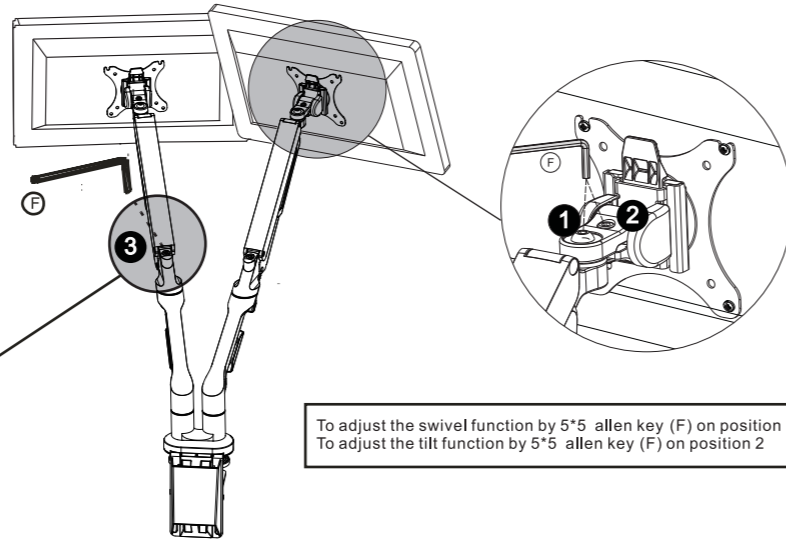
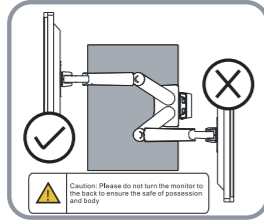
STEP 4

Install the monitor to the arm

Hang the monitor on the plate from top to bottom and ensure it be tightened

STEP 5

Adjust the monitor



Usually, loading capacity of arm will be 5-7KG

Please adjust monitor arm once monitor is installed. If monitor can not stop in any position you required, kindly adjust the scrow in "-" direction when the monitor up and "+" direction when it down, which can make arm stop in any position.

To adjust the swivel function by 5*5 allen key (F) on position 1
To adjust the tilt function by 5*5 allen key (F) on position 2



CAUTION

This product contains small items that could be a choking hazard if swallowed. Keep these items away from young children.

- Make Sure these instructions are read and completely understood before attempting installation. If you are unsure of any part of this installation, please contact a professional installer for assistance.
- The desk or mounting surface must be capable of supporting the combined weight of the mount and the display, otherwise the structure must be reinforced.
- Safety gear and proper tools must be used. A minimum of two people are required for this installation. Failure to use safety gear can result in property damage, serious injury or death.
- please check joint parts every two months, making sure the screws are loosened or not.

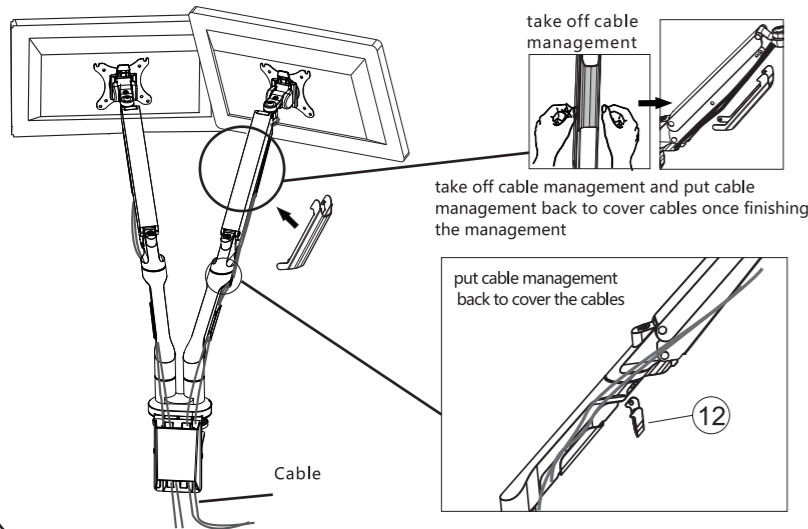
This product was designed to be installed on desk. Before installing, make sure the mount will support the combined load of the equipment and hardware. Never exceed the maximum load capacity 9 KG, or else it may result in product failure or personal injury.

Note: this product is intended for indoor use only. Use of this product outdoors could lead to product failure or personal injury.

Warning: This product contains high pressure gas spring parts, please do not put it into fire, high temperature, or disassemble it, which will lead to unexpected personal injury. The obsolete products can be sent back to the manufacturer or handed over to professional institutions.

To ensure the sealing performance of the gas spring, it is suggested to have complete adjustment to the upper arm (with spring) one time or several times every month.

Using cord management



Specification

